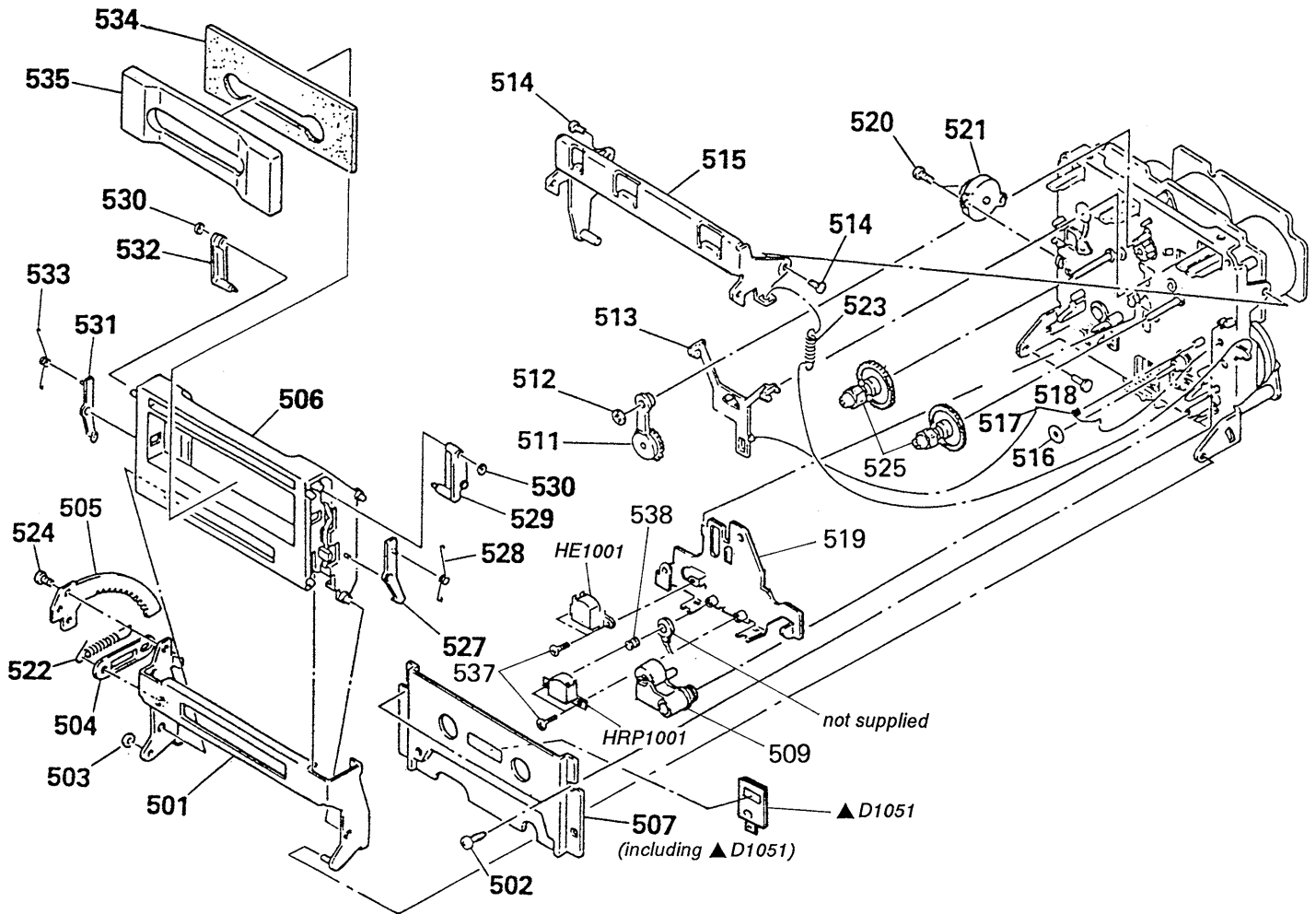


(3) MECHANISM SECTION ① (TCM-200V1)



No.	Part No.	Description	Remarks	No.	Part No.	Description	Remarks
501	X-3356-612-1	HOLDER (B) ASSY, CASSETTE		521	3-712-786-01	DAMPER, OIL	
502	7-685-133-19	SCREW +BTP 2.6X6 TYPE2 N-S		522	3-356-626-01	SPRING, TENSION	
503	3-558-708-21	WASHER, STOPPER		523	3-356-625-01	SPRING, TENSION	
504	*3-356-717-01	LEVER (JOINT)		524	7-621-775-10	SCREW +B 2.6X4	
505	3-356-708-01	GEAR (SOFT EJECT)		525	X-3356-627-1	GEAR ASSY	
506	X-3356-611-1	HOLDER (A) ASSY, CASSETTE		527	3-356-930-01	LEVER (RA)	
507	X-3356-613-1	PLATE ASSY, ORNAMENTAL		528	3-356-926-01	SPRING (RIGHT), TORSION	
509	X-3356-649-1	LEVER (PINCH LEVER T) ASSY		529	3-356-931-01	LEVER (RB)	
511	X-3356-641-1	LEVER (FR2) ASSY		530	3-356-946-01	BUSHING	
512	3-669-465-00	WASHER (1.5), STOPPER		531	3-356-932-01	LEVER (LA)	
513	3-356-614-01	SLIDER (BRAKE)		532	3-356-933-01	LEVER (LB)	
514	3-356-601-11	SCREW, STEP		533	3-356-927-01	SPRING (LEFT), TORSION	
515	*X-3356-608-1	LEVER (LIFTER) ASSY		534	3-356-731-01	ABSORBENT, VIBRATION	
516	3-356-713-01	WASHER		535	3-356-928-01	PLATE (A), ORNAMENTAL	
517	3-356-619-01	SPRING (B), TORSION		537	7-621-772-20	SCREW +B 2X5	
518	3-356-710-01	SHAFT (LEFT) (CASSETTE HOLDER)		538	3-362-238-01	SPRING (VH), COMPRESSION	
519	X-3356-647-1	SLIDER (HEAD CHASSIS V1) ASSY		D1051	8-719-980-85	DIODE SLF-325C	
520	7-621-255-20	SCREW +BVTT 2X4 (S)		HE1001	1-543-535-11	HEAD, MAGNETIC (ERASE)	
				HRP1001	1-543-537-11	HEAD, MAGNETIC (REC/PB)	