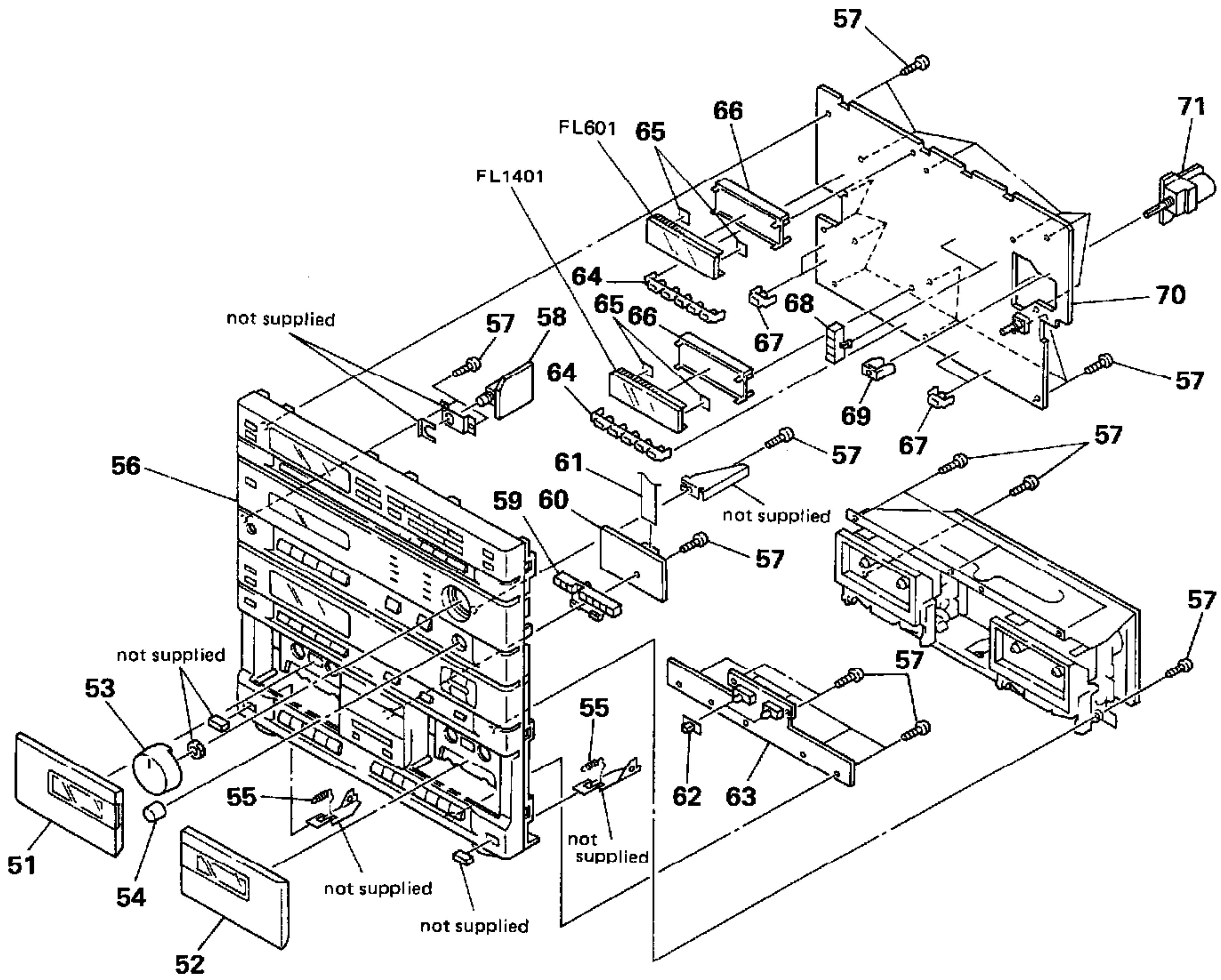
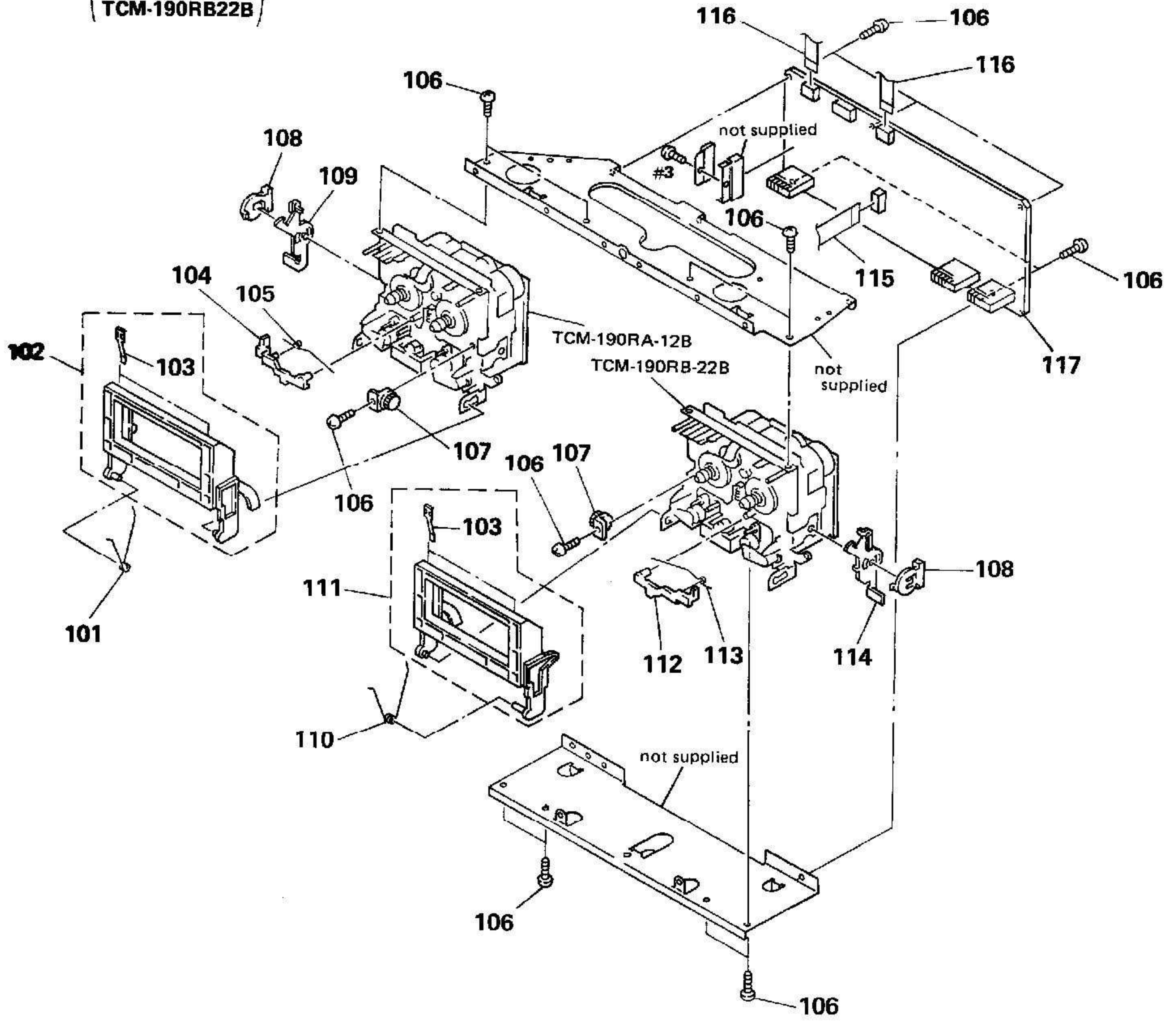


4-2. FRONT PANEL SECTION

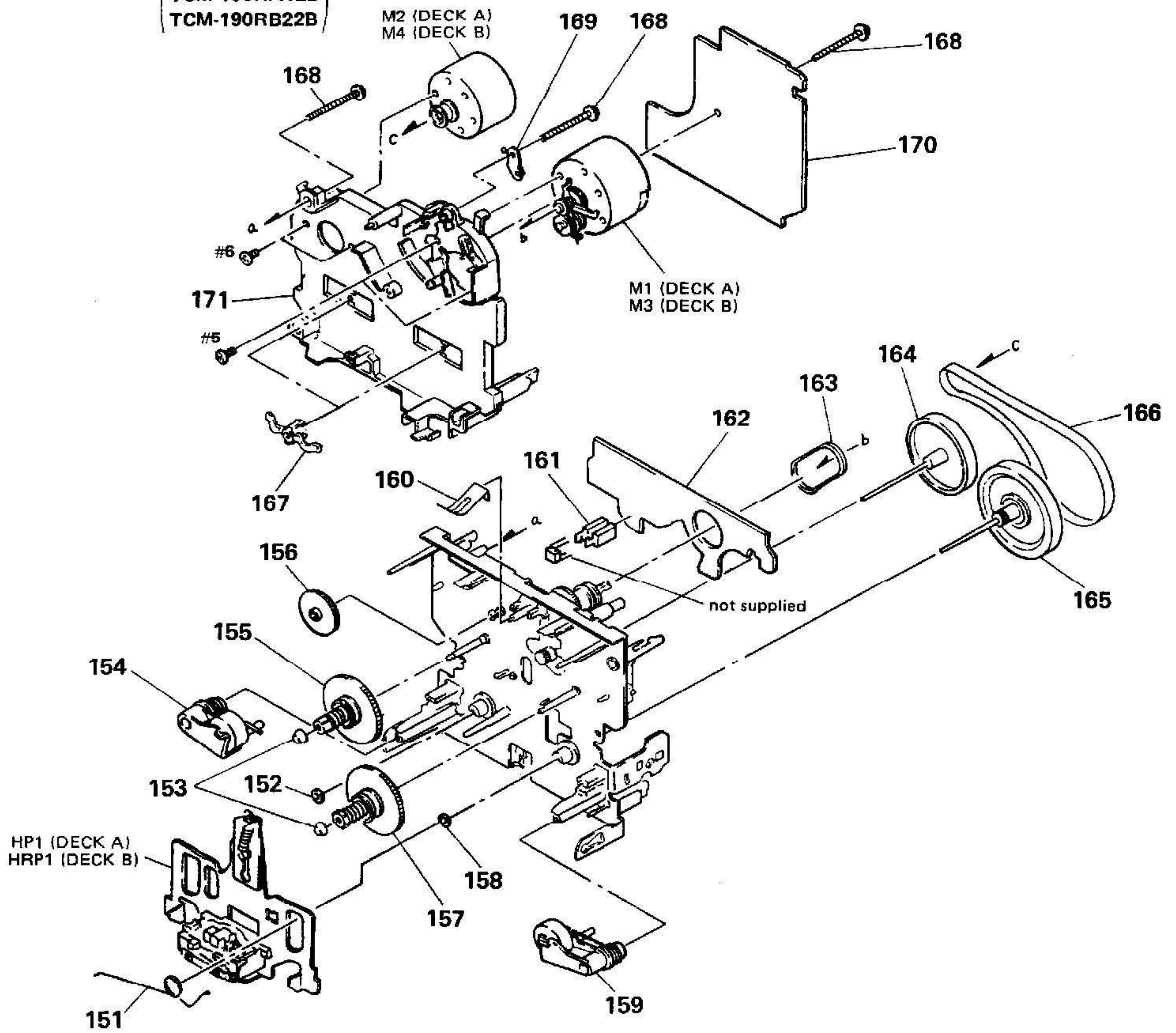


MECHANISM SECTION (1)
(TCM-190RA12B)
(TCM-190RB22B)



4.4. MECHANISM DECK SECTION (2)

(TCM-190RA12B)
(TCM-190RB22B)



4-5. MECHANISM DECK SECTION (3)
(TCM-190RA-12B)
(TCM-190RB-22B)

